

**Series- SV733
SV734
SV736**



**3-Way
Solenoid Valve
Direct Acting**

Specifications

Operating Mode	Normally Closed	Open when energized, closed when de-energized	
	Normally Open	Closed when energized, open when de-energized	
	Universal	Either Normally Open or Normally Closed operation	
Pipe Size		1/8 • 1/4	
Orifice Size		3/64 • 1/16 • 3/32 • 1/8 • 3/16 • 1/4	
Materials	Body		Stainless Steel, Brass
	Seals		Viton, Buna N, Teflon
	Housing	Standard	Conduit (NEMA IV) watertight
Options		Explosion-Proof NEMA VII, Grommet, Open Frame, Junction Box, NEMA I, etc.	
Available Voltages		AC24V 60Hz	DC 12V
		AC110V 50Hz AC120V 60Hz AC 220V 50Hz AC240V 60Hz	DC 24V
Voltage Tolerance		-10% to -15% of applicable voltage	
Coil		Class F, Class H. (8 watt coil available with lower pressure ratings)	
Lead Length		24 inch	
Temperature Ratings		Ambient Temp. – 40°F to 150°F max with Class F coil; 175°F max. with Class H Coil; Fluid Temp. – See the Valve Selection List	
Mounting Position		Mounts in any position	
Agency Listings		-	
Options		Mounting Bracket, Neon Lamp, Surge Suppression	

Contact GC Valves Customer Service at 1-800-582-4232 for specifications other than those listed.



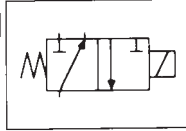
Valcor Scientific

Series SV733/SV734/SV736

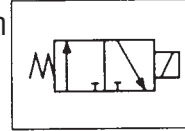
3-Way, Solenoid Valve, Direct Acting

Valve Selection List

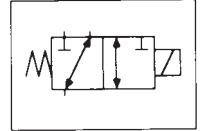
Normally Closed



Normally Open



Universal



Pipe Connection	Orifice Size		Cv Factor		Operating Pressure Differential (PSI)				Max. Fluid Temp. (F)	Seat Material	Body Code	Housing Type	Power Consumption (W)		Coil Insulation	Voltage 60 Hz	Model Number	
					Maximum		Minimum						Power Consumption (W)					
	Air, Gas, Water, Light Oil		Steam															
	IN	TOP	Body	Top	AC	DC	AC	DC					AC	DC				
1/8	3/64	1/16	0.05	0.10	0	200	200	-	-	230	V	2	A	10	10	F	120	SV733A3V2AV1
1/8	1/16	1/16	0.08	0.10	0	150	150	-	-	230	V	2	A	10	10	F	120	SV733A3VAC5
1/8	3/32	3/32	0.18	0.23	0	100	100	-	-	230	V	2	A	10	10	F	120	SV733A3V2AC9
1/8	1/8	3/32	0.30	0.23	0	75	75	-	-	230	V	2	A	10	10	F	120	SV733A3V2AV3
1/8	3/16	3/32	0.53	0.23	0	30	30	-	-	230	V	2	A	10	10	F	120	SV733A3V3BV1
1/4	3/64	1/16	0.05	0.10	0	200	200	-	-	230	V	2	A	10	10	F	120	SV733A3V2AV9
1/4	1/16	1/16	0.08	0.10	0	150	150	-	-	230	V	2	A	10	10	F	120	SV733A3V3BC5
1/4	3/32	3/32	0.18	0.23	0	100	100	-	-	230	V	2	A	10	10	F	120	SV733A3V3BC9
1/4	1/8	3/32	0.30	0.23	0	75	75	-	-	230	V	2	A	10	10	F	120	SV733A3V3BV3
1/4	3/16	3/32	0.53	0.23	0	30	30	-	-	230	V	2	A	10	10	F	120	SV733A3V3BV9
1/8	1/8	1/16	0.36	0.10	0	125	120	-	-	230	V	2	A	10	10	F	120	SV734A3V2AV5
1/8	1/8	3/32	0.36	0.20	0	75	25	-	-	230	V	2	A	10	10	F	120	SV734A3V2AV3
1/4	1/8	1/16	0.36	0.10	0	125	120	-	-	230	V	3	A	10	10	F	120	SV734A3V3BV5
1/4	1/8	3/32	0.36	0.20	0	75	25	-	-	230	V	3	A	10	10	F	120	SV734A3V3BV3
1/4	1/4	3/32	0.36	0.20	0	75	20	-	-	230	V	3	A	10	10	F	120	SV734A3V3BW1
1/8	3/64	1/16	0.05	0.08	0	150	120	-	-	230	V	2	A	10	10	F	120	SV736A3V2AV1
1/8	1/16	1/16	0.08	0.08	0	120	100	-	-	230	V	2	A	10	10	F	120	SV736A3V2AC5
1/8	3/32	3/32	0.18	0.19	0	75	25	-	-	230	V	2	A	10	10	F	120	SV736A3V2AC9
1/8	1/8	3/32	0.30	0.23	0	50	20	-	-	230	V	2	A	10	10	F	120	SV736A3V2AV3
1/4	3/64	3/64	0.05	0.08	0	150	120	-	-	230	V	3	A	10	10	F	120	SV736A3V3BV1
1/4	1/16	1/16	0.08	0.08	0	120	100	-	-	230	V	3	A	10	10	F	120	SV736A3V3BC5
1/4	3/32	3/32	0.18	0.19	0	75	25	-	-	230	V	3	A	10	10	F	120	SV736A3V3BC9
1/4	1/8	1/8	0.30	0.23	0	50	20	-	-	230	V	3	A	10	10	F	120	SV736A3V3AV3



Valcor Scientific

Series SV733/SV734/SV736 3-Way, Solenoid Valve, Direct Acting

Model Code

S V 7 3 3
C
*
0 3
N 3
A C 5

SV733	C		03	N3		AC5	
SERIES	Housing	Coil Insulation	Voltage Code	Seat Material	Body Code	Pipe Conn.	Orifice Size
SV733 = Normally Closed	C = NEMA IV Conduit	default is F class if not designated	01 = 12 VDC	N = Buna N	3 = Brass	A = 1/8"	V1 = 3/64"x1/16" C5 = 1/16"x1/16"
SV734 = Normally Open	G = Grommet	H = H class	02 = 24 VDC	V = Viton	4 = Brass	B = 1/4"	C9 = 3/32"x3/32" V3 = 1/8"x 3/32"
SV736 = Universal	E = NEMA VII		03 = 120v/ 50/60Hz				V9 = 3/16"x3/32" V5 = 1/8"x1/16"
	S = Junction Box		04 = 220v/ 50Hz	J = Buna N	7 = 303 CRES		W1 = 1/4"x3/32"
	A = Nema I		05 = 240v/ 60Hz	L = Viton	8 = 303 CRES		
	Y = DIN		06 = 24v/ 50/ 60Hz				

* NOTE: Insert Coil Class designation "H". If "F" class coil leave blank.

NOTE: Consult Factory for other configurations.

Coil Data

Model		SV733 / SV734 / SV736		
Frequency (Hz)		60	60	60
Power (VA)	Inrush	46.2	46.2	46.2
	Holding	19.8	19.8	19.8
Power Consumption (W)	AC	10*	10*	10*
	DC	Class F = 10; Class H = 9		

* Explosion-proof models are rated at 11 watts

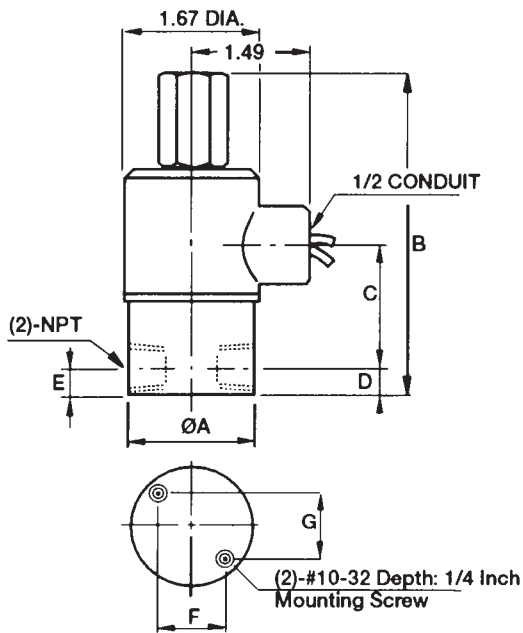


Valcor Scientific

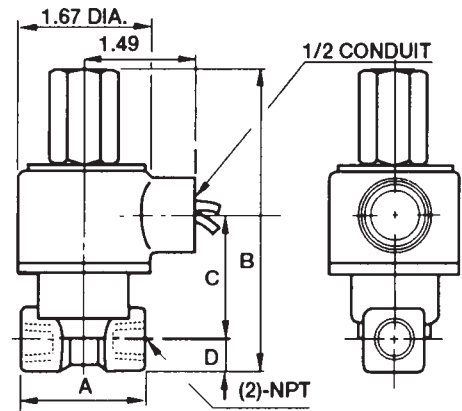
Series SV733/SV734/SV736 3-Way, Solenoid Valve, Direct Acting

Extra Dimensions

Type 2 and 3 Bodies



Type 9 Body



Body Code	Pipe Conn.	A	B	C	D	E	F	G	Weight (lbs.)
2	1/8	1.22	3.48	1.63	.29	.29	.61	.73	1.0
3	1/4	1.56	3.80	1.66	.34	.34	.88	.88	1.2
9	1/8	1.63	3.60	1.63	.37	na	na	na	1.0
9	1/4	1.63	3.84	1.71	.37	na	na	na	1.2

Dimensions A through G expressed in inches.